

()

INTERSTATE COUNCIL FOR STANDARDIZATION, METROLOGY AND CERTIFICATION
(ISC)

**ISO 8675—
2014**

(0)

(ISO 8675:2012, IDT)



2015

1.0—92 «
 1.2—2009 «
 «PM- » («PM- »)
 5
 ()
 (-)
 14 2014 . 72-)

| | | |
|----------------|--|-----|
| (3166) 004—97 | (3166)004—97 | |
| | AZ AM BY GE KZ KG MD RU TJ TM UZ UA | « » |

4 2015 . 946- ISO 8675—2014 21
 1 2017 .

5 ISO 8675:2012 Hexagon thin nuts
 chamfered (style 0) with metric fine pitch thread — Product grades A and []
 (0) — ISO/ 2/SC 12 «
 » (ISO). ISO/TC 2 «
 ().

— (IDT)
 6 5916—70 1 5929—70

« — », (1 «), -
() « -
— , « ».

| | | | |
|---|-------|-------|---|
| 1 | | 1 | |
| 2 | | 1 | |
| 3 | | 2 | |
| 4 | | 3 | |
| 5 | | 3 | |
| | () | | |
| | > | | 4 |
| | | 6 | |

ISO 8675:2012

ISO

- a) (ISO 4014, ISO 4015, ISO 4016 ISO 8765);
- b) (ISO 4017, ISO 4018, ISO 8676);
- c) (ISO 4032, ISO 4033, ISO 4034, ISO 4035, ISO 4036. ISO 7040, ISO 7041,
ISO 7042, ISO 7719, ISO 7720, ISO 8673, ISO 8674, 8675, ISO 10511, ISO 10512, ISO 10513);
- d) (ISO 4162, ISO 15071 ISO 15072);
- e) (ISO4161, ISO 7043, ISO 7044, ISO 10663, ISO12125, ISO12126
ISO 21670).

(0)

Chamfered hexagon thin nuts (style 0) with fine pitch thread Product grades A and

— 2017—01—01

1

, $D \leq 16$, $D, 8 > 16$ 64 (0)
 ISO 898-2, ISO 965-1. ISO 3506-2 ISO 4759-1. ISO 724.

2

ISO 225:2010 Fasteners — Bolts, screws, studs and nuts — Symbols and descriptions of dimensions ()
 ISO 724:1993 ISO general-purpose metric screw threads — Basic dimensions ()
 ISO 898-2:2012 Mechanical properties of fasteners made of carbon steel and alloy steel — Part 2: Nuts with specified property classes — Coarse thread and fine pitch thread (2.)
 ISO 965-1:2013 ISO general-purpose metric screw threads — Tolerances — Part 1: Principles and basic data (ISO 1.)
 ISO 3269:2000 Fasteners — Acceptance inspection ()
 ISO 3506-2:2009 Mechanical properties of corrosion-resistant stainless steel fasteners — Part 2: Nuts (2.)
 ISO 4042:1999 Fasteners — Electroplated coatings ()
 ISO 4759-1:2000 Tolerances for fasteners — Part 1: Bolts, screws, studs and nuts — Product grades A, and (1.)
 ISO 6157-2:1995 Fasteners — Surface discontinuities — Part 2: Nuts (2.)
 ISO 8839:1986 Mechanical properties of fasteners — Bolts, screws, studs and nuts made of non-ferrous metals ()
 ISO 8992:2005 Fasteners — General requirements for bolts, screws, studs and nuts ()
 ISO 10683:2000 Fasteners — Non-electrolytically applied zinc flake coatings ()

3

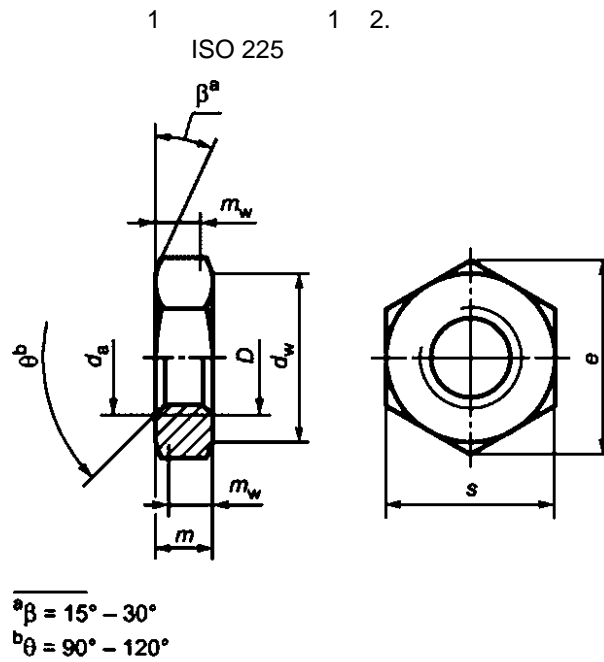


Рисунок 1

1 —

| D | | 8»1 | 10«1 | 12*1,5 | 16»1,5 | 20»1,5 | 24«2 | 30«2 | 36«3 | 42*3 | 48«3 | 56»4 | 64*4 |
|-----|---|-------|-------|--------|--------|--------|-------|-------|-------|-------|-------|-------|--------|
| *3 | | 8,75 | 10,80 | 13,00 | 17,30 | 21,60 | 25,90 | 32,40 | 38,90 | 45,40 | 51,80 | 60,50 | 69,10 |
| | | 8,00 | 10,00 | 12,00 | 16,00 | 20,00 | 24,00 | 30,00 | 36,00 | 42,00 | 48,00 | 56,00 | 64,00 |
| | | 11,63 | 14,63 | 16,63 | 22,49 | 27,70 | 33,25 | 42,75 | 51,11 | 59,95 | 69,45 | 78,66 | 88,16 |
| | | 14,38 | 17,77 | 20,03 | 26,75 | 32,95 | 39,55 | 50,85 | 60,79 | 71,30 | 82,60 | 93,56 | 104,86 |
| | | 4,00 | 5,00 | 6,00 | 8,00 | 10,00 | 12,00 | 15,00 | 18,00 | 21,00 | 24,00 | 28,00 | 32,00 |
| | | 3,70 | 4,70 | 5,70 | 7,42 | 9,10 | 10,90 | 13,90 | 16,90 | 19,70 | 22,70 | 26,70 | 30,40 |
| | | 2,96 | 3,76 | 4,56 | 5,94 | 7,28 | 8,72 | 11,12 | 13,52 | 15,76 | 18,16 | 21,36 | 24,32 |
| S | = | 13,00 | 16,00 | 18,00 | 24,00 | 30,00 | 36,00 | 46,00 | 55,00 | 65,00 | 75,00 | 85,00 | 95,00 |
| | | 12,73 | 15,73 | 17,73 | 23,67 | 29,16 | 35,00 | 45,00 | 53,80 | 63,10 | 73,10 | 82,80 | 92,80 |

2 —

| D | | 10«1,25 | 12 1,25 | 14«1,5 | 18«1,5 | 20*2 | 22*1,5 | 27«2 | 33«2 | 39»3 | 45*3 | 52*4 | 60*4 |
|-------|---|---------|---------|--------|--------|-------|--------|-------|-------|-------|-------|-------|-------|
| | | 10,80 | 13,00 | 15,10 | 19,50 | 21,60 | 23,70 | 29,10 | 35,60 | 42,10 | 48,60 | 56,20 | 64,80 |
| | | 10,00 | 12,00 | 14,00 | 18,00 | 20,00 | 22,00 | 27,00 | 33,00 | 39,00 | 45,00 | 52,00 | 60,00 |
| | | 14,63 | 16,63 | 19,64 | 24,85 | 27,70 | 31,35 | 38,00 | 46,55 | 55,86 | 64,70 | 74,20 | 83,41 |
| | | 17,77 | 20,03 | 23,36 | 29,56 | 32,95 | 37,29 | 45,20 | 55,37 | 66,44 | 76,95 | 88,25 | 99,21 |
| | | 5,00 | 6,00 | 7,00 | 9,00 | 10,00 | 11,00 | 13,50 | 16,50 | 19,50 | 22,50 | 26,00 | 30,00 |
| | | 4,70 | 5,70 | 6,42 | 8,42 | 9,10 | 9,90 | 12,40 | 15,40 | 18,20 | 21,20 | 24,70 | 28,70 |
| m_w | | 3,76 | 4,56 | 5,14 | 6,74 | 7,28 | 7,92 | 9,92 | 12,32 | 14,56 | 16,96 | 19,76 | 22,96 |
| S | = | 16,00 | 18,00 | 21,00 | 27,00 | 30,00 | 34,00 | 41,00 | 50,00 | 60,00 | 70,00 | 80,00 | 90,00 |
| | | 15,73 | 17,73 | 20,67 | 26,16 | 29,16 | 33,00 | 40,00 | 49,00 | 58,80 | 68,10 | 78,10 | 87,80 |

4

3.

3—

| | | | | |
|---|--|--|---|--------------------|
| | | | - | |
| | | ISO 8992 | | |
| | | 6 | | |
| | | ISO 724, ISO 965-1 | | |
| - | | <i>D</i> 5 39 : 04, 05 > 39 : | 5 24 : 2-035, 4-035 24 < 5 39 : 2-025, 4-025 > 39 : | ISO 8839 |
| | | <i>D</i> 5 39 : ISO 898-2 > 39 : (ISO 898-2:2012,) | 0 5 39 : ISO 3506-2 > 39 : | |
| | | <i>D</i> s 16 : <i>D</i> > 16 : | | |
| | | ISO 4759-1 | | |
| — | | no ISO 4042 - - - ISO 10683 | 16048 ISO | - - ISO 4042 |
| | | - | | |
| | | ISO 6157-2 - | | |
| | | ISO 3269 | | |

5

—

:

(0)

16 * 1,5

05

ISO 8675 — 16 * 1,5-05

()

1 —

| | | | |
|-------------------------|--------------------------|-----|--|
| | | | |
| ISO 225:2010 1) | | | *« |
| ISO 724:1993 | | MOD | 24705—2004 (724:1993) (ISO 724:1993, MOD) |
| ISO 898-2 2012 2. | | IDT | ISO 898-2 ²⁾ 2. |
| ISO 965-1 2013 ISO 1 | ISO 965-1:1998 ISO 1. | MOD | 16093—2004 (965-1:1998, 965-3:1998) (ISO 965-1:1998, MOD) |
| ISO 3269:2000 | — | IDT | ISO 269 ³⁾ |
| ISO 3506-2:2009 2. | | IDT | ISO 3506-2—2014 2. |
| ISO 4042:1999 | | IDT | ISO 4042 ⁴⁾ |
| ISO 4759-1 2000 1. | | IDT | ISO 4759-1 ⁵⁾ 1. |

898-2—2013 (ISO 898-2:2012, IDT).

3269—2009 (ISO 3269:2000, IDT).

4)

4042—2009 (ISO 4042:1999, IDT).

4759-1—2009 (ISO 4759-1:2000).

.1

| | | | |
|---|---|---|---------------------------------|
| | - | | |
| ISO 6157-2:1995 2. | - | — | ISO 6157-2 ¹ > 2. |
| ISO 8839:1986 | - | | ISO 8839 ^{2>} |
| ISO 8992:2005 | - | | ISO 8992—... ^{3>} |
| ISO 10683:2000 | - | | *4) |
| <p>* ** () — • — - MOD —</p> | | | |

^{1>} 6157-2—2009 (ISO 6157-2:1995,).
8839—2009 (ISO 8839:1986, IDT).
8992—2011 (ISO 8992:2005,).

10683—20*13 (ISO 10683 2000,).

- [1] ISO 4014, Hexagon head bolts — Product grades A and
- [2] ISO 4015, Hexagon head bolts — Product grade — Reduced shank (shank diameter approximately equal to pitch diameter)
- [3] ISO 4016, Hexagon head bolts — Product grade C
- [4] ISO 4017, Hexagon head screws — Product grades A and
- [5] ISO 4018, Hexagon head screws — Product grade C
- [6] ISO 4032, Hexagon regular nuts (style 1) — Product grades A and
- [7] ISO 4033, Hexagon high nuts (style 2) — Product grades A and
- [8] ISO 4034, Hexagon regular nuts (style 1) — Product grade C
- [9] ISO 4035, Hexagon thin nuts chamfered (style 0) — Product grades A and
- [10] ISO 4036, Hexagon thin nuts unchamfered (style 0) — Product grade
- [11] ISO 4161, Hexagon nuts with flange, style 2 — Coarse thread
- [12] ISO 4162, Hexagon flange bolts — Small series — Product grade A with driving feature of product grade
- [13] ISO 7040, Prevailing torque type hexagon regular nuts (with non-metallic insert) — Property classes 5, 8 and 10
- [14] ISO 7041, Prevailing torque type hexagon nuts (with non-metallic insert), style 2 — Property classes 9 and 12
- [15] ISO 7042, Prevailing torque type all-metal hexagon high nuts — Property classes 5,8,10 and 12
- [16] ISO 7043, Prevailing torque type hexagon nuts with flange (with non-metallic insert), style 2—Product grades A and 8
- [17] ISO 7044, Prevailing torque type all-metal hexagon nuts with flange, style 2 — Product grades A and
- [18] ISO 7719, Prevailing torque type all-metal hexagon regular nuts — Property classes 5,8 and 10
- [19] ISO 7720, Prevailing torque type all-metal hexagon nuts, style 2 — Property class 9
- [20] ISO 8673, Hexagon regular nuts (style 1) with metric fine pitch thread — Product grades A and
- [21] ISO 8674, Hexagon high nuts (style 2) with metric fine pitch thread — Product grades A and
- [22] ISO 8676, Hexagon head screws with metric fine pitch thread — Product grades A and
- [23] ISO 8765, Hexagon head bolts with metric fine pitch thread — Product grades A and
- [24] ISO 10511, Prevailing torque type hexagon thin nuts (with non-metallic insert)
- [25] ISO 10512, Prevailing torque type hexagon nuts (with non-metallic insert), style 1, with metric fine pitch thread — Property classes 6, 8 and 10
- [26] ISO 10513, Prevailing torque type all-metal hexagon nuts, style 2, with metric fine pitch thread — Property classes 8, 10 and 12
- [27] ISO 10663, Hexagon nuts with flange, style 2 — Fine pitch thread
- [28] ISO 12125, Prevailing torque type hexagon nuts with flange (with non-metallic insert) with metric fine pitch thread, style 2 — Product grades A and
- [29] ISO 12126, Prevailing torque type all-metal hexagon nuts with flange with metric fine pitch thread, style 2 — Product grades A and
- [30] ISO 15071, Hexagon bolts with flange — Small series — Product grade A
- [31] ISO 15072, Hexagon bolts with flange with metric fine pitch thread — Small series — Product grade A
- [32] ISO 21670, Hexagon weld nuts with flange